



CorePro LEDbulbs

CorePro LEDbulb ND 5.5-40W A60 B22 827

CorePro LEDbulbs are compatible with existing fixtures with an E27 or B22 holder and are designed for retrofit replacement of incandescent bulbs. They deliver huge energy savings and minimize maintenance cost. The CorePro LED bulb is the perfect bulb for your basic lighting needs. It provides the beautiful light and dependable performance you expect from LED at an affordable price.

Product data

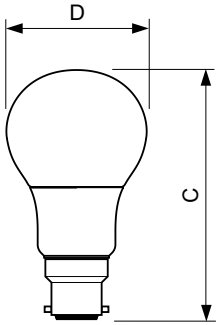
General Information		Wattage Equivalent	
Cap-Base	B22 [B22]		40 W
Nominal Lifetime (Nom)	15000 h	Starting Time (Nom)	0.5 s
Switching Cycle	50000X	Warm Up Time to 60% Light (Nom)	0.5 s
Technical Type	5.5-40W	Power Factor (Nom)	0.5
		Voltage (Nom)	220-240 V
Light Technical		Temperature	
Color Code	827 [CCT of 2700K]	T-Case Maximum (Nom)	75 °C
Beam Angle (Nom)	200 °		
Luminous Flux (Nom)	470 lm	Controls and Dimming	
Luminous Flux (Rated) (Nom)	470 lm	Dimmable	No
Color Designation	Warm White (WW)		
Correlated Color Temperature (Nom)	2700 K	Mechanical and Housing	
Luminous Efficacy (rated) (Nom)	85.00 lm/W	Bulb Finish	Frosted
Color Consistency	<6		
Color Rendering Index (Nom)	80	Approval and Application	
LLMF At End Of Nominal Lifetime (Nom)	70 %	Energy Efficiency Label (EEL)	A+
		Energy Consumption kWh/1000 h	6 kWh
Operating and Electrical		Product Data	
Input Frequency	50 to 60 Hz	Full product code	871869657765300
Power (Rated) (Nom)	5.5 W	Order product name	CorePro LEDbulb ND 5.5-40W A60 B22 827
Lamp Current (Nom)	55 mA		

CorePro LEDbulbs

EAN/UPC - Product	8718696577653
Order code	929001233802
Numerator - Quantity Per Pack	1
Numerator - Packs per outer box	10

Material Nr. (12NC)	929001233802
Net Weight (Piece)	0.076 kg

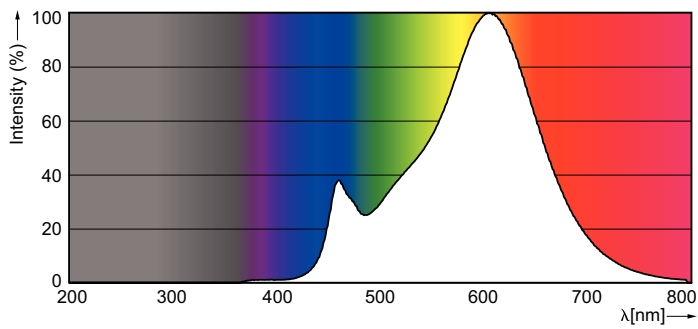
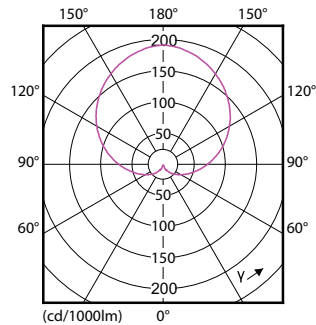
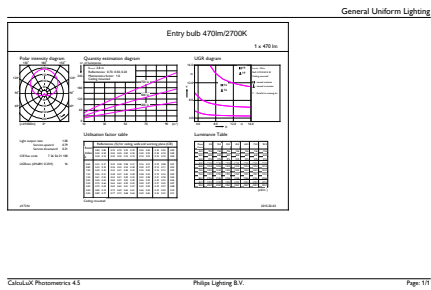
Dimensional drawing



Entrybulb 230V 6W-40W 470lm 2700K B22 ND

Product	D	C
CorePro LEDbulb ND 5.5-40W A60 B22 827	60 mm	110 mm

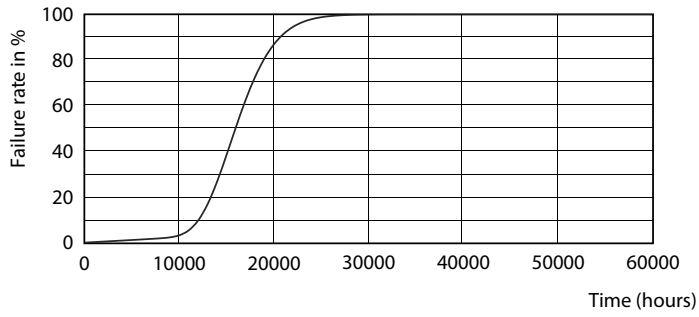
Photometric data



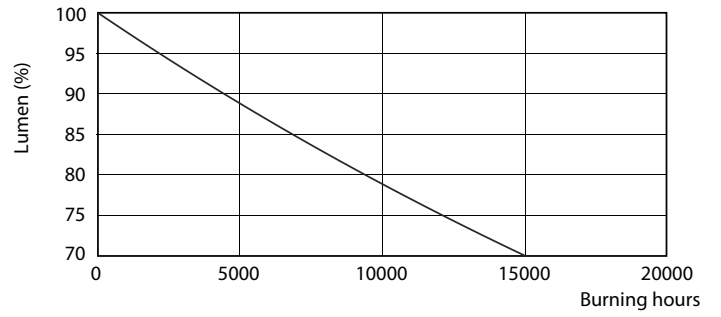
A60, A67 /827 FR

CorePro LEDbulbs

Lifetime



LEDbulb 40W E27 830 FR A60



LEDbulb 40W E27 830 FR A60

