



# CorePro LEDspot LV

## CorePro LED spot ND 7-50W MR16 827 36D

CorePro LEDspots are a perfect fit for spot lighting and deliver warm halogen-like light. They are compatible with most existing fixtures with MR16 GU5.3 holders and are designed as a retrofit replacement for halogen or incandescent spots. CorePro LEDspots deliver huge energy savings and minimize maintenance cost.

### Product data

General Information	
Cap-Base	GU5.3 [ GU5.3]
Nominal Lifetime (Nom)	15000 h
Switching Cycle	50000X
Technical Type	7-50W
Light Technical	
Color Code	827 [ CCT of 2700K]
Beam Angle (Nom)	36 °
Luminous Flux (Nom)	621 lm
Luminous Flux (Rated) (Nom)	621 lm
Luminous Intensity (Nom)	1400 cd
Color Designation	Warm White (WW)
Rated Beam Angle	36 °
Correlated Color Temperature (Nom)	2700 K
Luminous Efficacy (rated) (Nom)	88.00 lm/W
Color Consistency	<6
Color Rendering Index (Nom)	80
LLMF At End Of Nominal Lifetime (Nom)	70 %
Luminous Flux in 90° Cone (Rated)	621 lm
Operating and Electrical	
Power (Rated) (Nom)	7 W

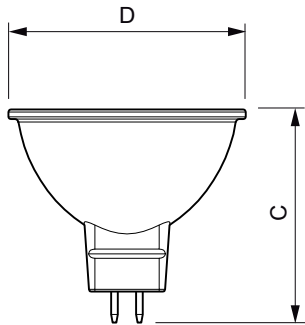
Lamp Current (Nom)	730 mA
Wattage Equivalent	50 W
Starting Time (Nom)	0.5 s
Warm Up Time to 60% Light (Nom)	0.5 s
Power Factor (Nom)	0.8
Voltage (Nom)	12 V
Temperature	
T-Case Maximum (Nom)	85 °C
Controls and Dimming	
Dimmable	No
Approval and Application	
Suitable For Accent Lighting	Yes
Energy Efficiency Label (EEL)	A+
Energy Consumption kWh/1000 h	8 kWh
Product Data	
Full product code	871869681471000
Order product name	CorePro LED spot ND 7-50W MR16 827 36D
EAN/UPC - Product	8718696814710
Order code	929001904802

# CorePro LEDspot LV

Numerator - Quantity Per Pack	1
Numerator - Packs per outer box	10
Material Nr. (12NC)	929001904802

Net Weight (Piece)	0.030 kg
--------------------	----------

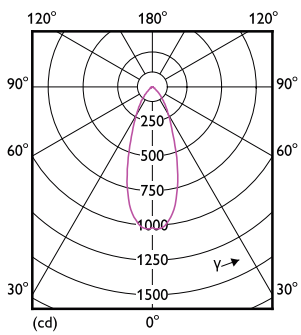
## Dimensional drawing



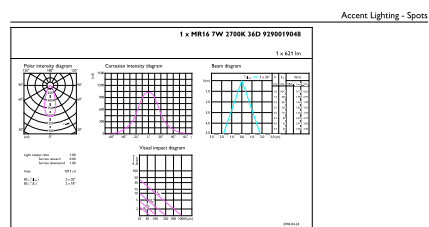
MR16 12V 8W-50W 621lm 36D 2700K GU5.3 ND

Product	D	C
CorePro LED spot ND 7-50W MR16 827 36D	50.5 mm	45 mm

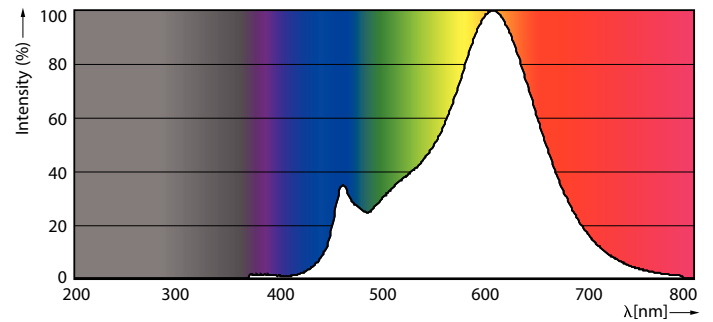
## Photometric data



LEDspot Corepro 7-50W GU5.3 MR16 827 36D ND



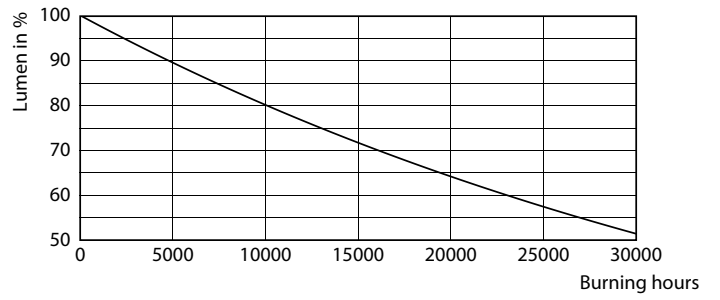
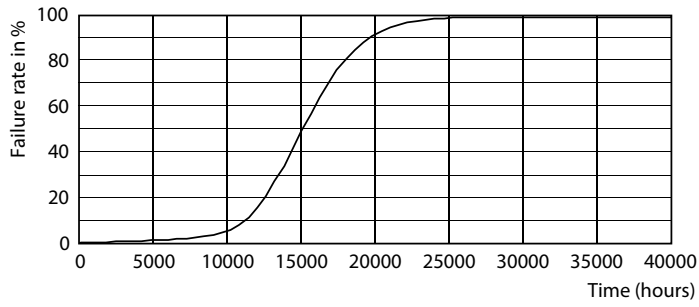
CalcLux Photometrics 4.5 Philips Lighting B.V. Page 1/1



LEDspot Corepro 7-50W GU5.3 MR16 827 36D ND

# CorePro LEDspot LV

## Lifetime



LEDspot Corepro 7-50W GU5.3 MR16 827 36D ND

LEDspot Corepro 7-50W GU5.3 MR16 827 36D ND

