



MASTER VALUE LEDspot LV

MAS LED SPOT VLE D 7-50W MR16 827 60D

Philips MASTER VALUE MR16 is the series of Low Voltage (12VAC) Halogen MR16 replacements. Not only does it employ Philips' patented solution to guarantee the broadest possible compatibility with standard 12V Halogen electronic transformers. It also delivers beam intensity which is equivalent to the 50W Philips Halogen MR16 lamps. The form-factor of Philips MASTER Value LED MR16 guarantees a 100% form on the back-side of the lamp (exact form with Halogen lamps.)

Product data

General Information		Luminous Flux in 90° Cone (Rated)	
Cap-Base	GU5.3 [GU5.3]		621 lm
Nominal Lifetime (Nom)	25000 h	Operating and Electrical	
Switching Cycle	50000X	Power (Rated) (Nom)	7 W
Technical Type	7-50W	Lamp Current (Nom)	770 mA
Light Technical		Wattage Equivalent	50 W
Color Code	827 [CCT of 2700K]	Starting Time (Nom)	0.5 s
Beam Angle (Nom)	60 °	Warm Up Time to 60% Light (Nom)	0.5 s
Luminous Flux (Nom)	621 lm	Power Factor (Nom)	0.8
Luminous Flux (Rated) (Nom)	621 lm	Voltage (Nom)	12 V
Luminous Intensity (Nom)	750 cd	Temperature	
Color Designation	Warm White (WW)	T-Case Maximum (Nom)	85 °C
Rated Beam Angle	60 °	Controls and Dimming	
Correlated Color Temperature (Nom)	2700 K	Dimmable	Yes
Luminous Efficacy (rated) (Nom)	88.00 lm/W	Approval and Application	
Color Consistency	<6	Suitable For Accent Lighting	Yes
Color Rendering Index (Nom)	80		
LLMF At End Of Nominal Lifetime (Nom)	70 %		

MASTER VALUE LEDspot LV

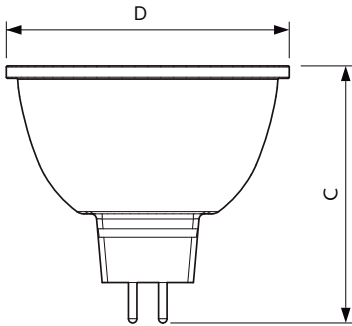
Energy Efficiency Label (EEL)	A+
Energy Consumption kWh/1000 h	8 kWh
Product Data	
Full product code	871869681560100
Order product name	MAS LED SPOT VLE D 7-50W MR16 827 60D
EAN/UPC - Product	8718696815601

Order code	929001903702
Numerator - Quantity Per Pack	1
Numerator - Packs per outer box	10
Material Nr. (12NC)	929001903702
Net Weight (Piece)	0.030 kg

Warnings and Safety

- Operating temperature range is between -20° C and 45° C ambient
- Only to apply in dry or damp locations and most of open fixtures with lamp-holders that offer sufficient space (10 mm free air space)
- Not intended for use with emergency light fixtures or exit lights

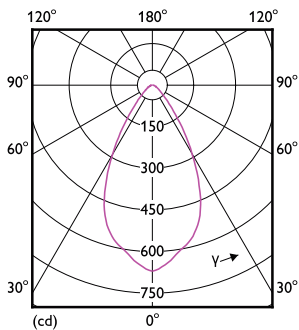
Dimensional drawing



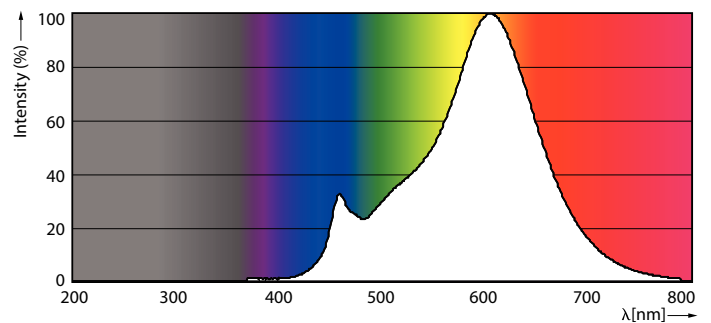
MR16 12V 7W-50W 621lm 60D 2700K GU5.3 D

Product	D	C
MAS LED SPOT VLE D 7-50W MR16 827 60D	50.5 mm	45 mm

Photometric data



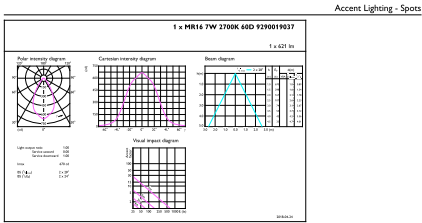
LEDspot MAS VLE 7-50W GU5.3 MR16 827 60D DIM



LEDspot MAS VLE 7-50W GU5.3 MR16 827 36D DIM

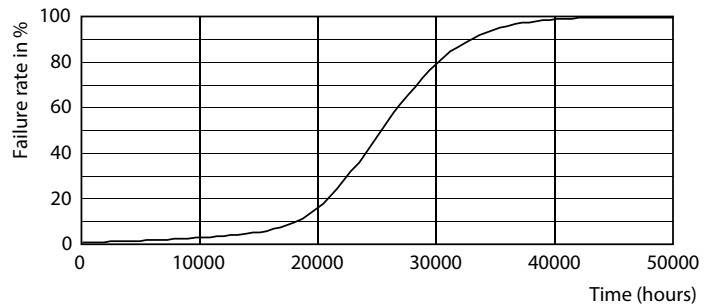
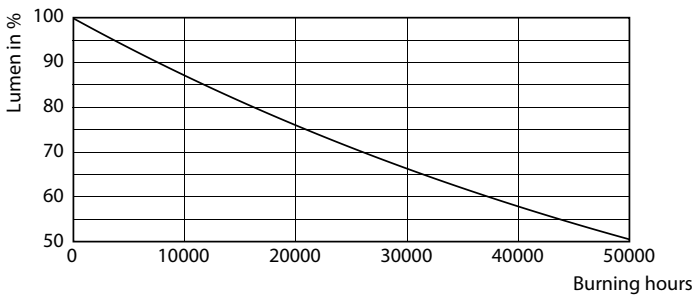
MASTER VALUE LEDspot LV

Photometric data



CalcDoc Photometrics 4.3 Philips Lighting B.V. Page: 1/1

Lifetime



LEDspot MAS VLE 7-50W GU5.3 MR16 830 36D DIM

LEDspot MAS VLE 7-50W GU5.3 MR16 830 36D DIM

