



MASTER LEDspot LV AR111

MAS LEDspotLV D 11-50W 930 AR111 40D

With its new perfect-fit design, the Master LEDspot LV AR111 now works with most of G53 luminaires as a true retrofit solution. The lamp creates a brilliant visual effect for retail and hospitality applications such as shops, showrooms and galleries. The high quality light brings out the true colors in merchandise and emphasizes its beauty. It also lasts long, with a strong lumen and color maintenance. The beautifully designed lamp offers a well-defined beam with a multitude of beam angles to suit various applications. Not only does it employ the Philips patented solution to ensure it is compatible with a broad selection of standard 12V halogen electronic transformers, it also delivers high beam intensity which equivalent to halogen AR111 spots of 50W, 75W or 100W.

Product data

General Information		Luminous Efficacy (rated) (Nom)	
Cap-Base	G53 [G53]		51.82 lm/W
Nominal Lifetime (Nom)	40000 h	Color Consistency	<3
Switching Cycle	50000X	Color Rendering Index (Nom)	90
Technical Type	11-50W	LLMF At End Of Nominal Lifetime (Nom)	70 %
		Luminous Flux in 90° Cone (Rated)	570 lm
Light Technical		Operating and Electrical	
Color Code	930 [CCT of 3000K]	Power (Rated) (Nom)	11 W
Beam Angle (Nom)	40 °	Lamp Current (Nom)	1300 mA
Light Distribution	Wide beam 40°	Wattage Equivalent	50 W
Luminous Flux (Nom)	570 lm	Starting Time (Nom)	0.5 s
Luminous Flux (Rated) (Nom)	570 lm	Warm Up Time to 60% Light (Nom)	0.5 s
Luminous Intensity (Nom)	1150 cd	Power Factor (Nom)	0.7
Color Designation	White (WH)	Voltage (Nom)	12 V
Rated Beam Angle	40 °		
Correlated Color Temperature (Nom)	3000 K		

MASTER LEDspot LV AR111

Temperature

T-Case Maximum (Nom)	70 °C
----------------------	-------

Controls and Dimming

Dimmable	Yes
----------	-----

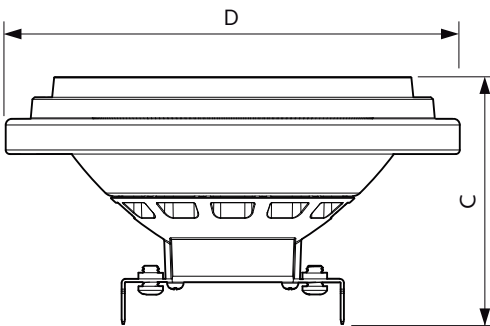
Approval and Application

Suitable For Accent Lighting	Yes
Energy Efficiency Label (EEL)	A
Energy Consumption kWh/1000 h	13 kWh

Product Data

Full product code	871869651494800
Order product name	MAS LEDspotLV D 11-50W 930 AR111 40D
EAN/UPC - Product	8718696514948
Order code	929001170102
Numerator - Quantity Per Pack	1
Numerator - Packs per outer box	6
Material Nr. (12NC)	929001170102
Net Weight (Piece)	0.160 kg

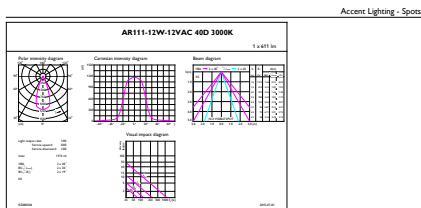
Dimensional drawing



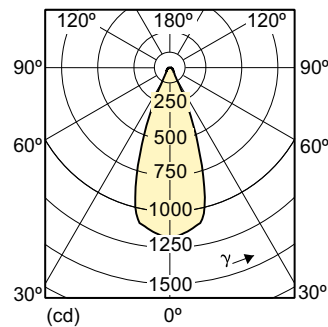
LED D 11-50W 930 AR111 40D

Product	D	C
MAS LEDspotLV D 11-50W 930 AR111 40D	111 mm	62 mm

Photometric data



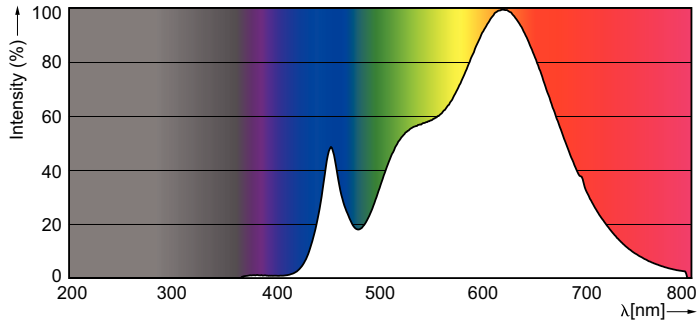
Calcux Prosmetrics 4.5 Philips Lighting B.V. Page 1/7



11-50 W GX53 /930 AR111 40D

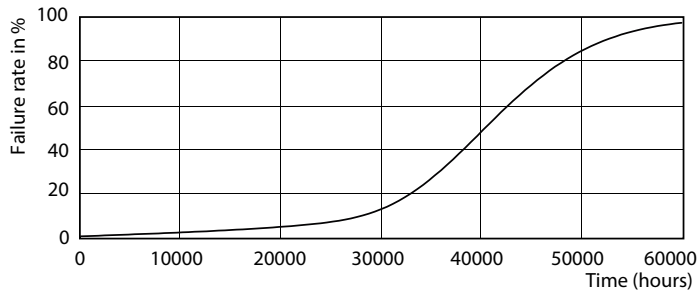
MASTER LEDspot LV AR111

Photometric data

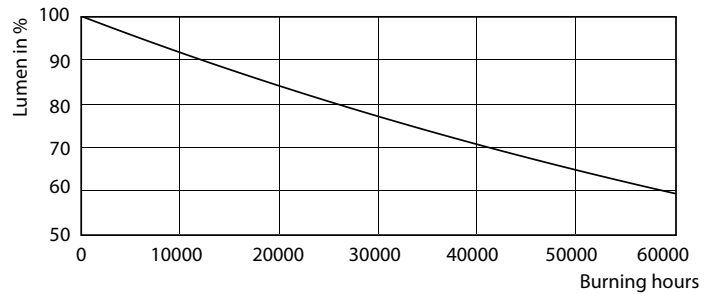


11-50W AR111 /930

Lifetime



MASTER LEDspotLV AR111 75W G53 940 40D



MASTER LEDspotLV AR111 75W G53 940 40D

